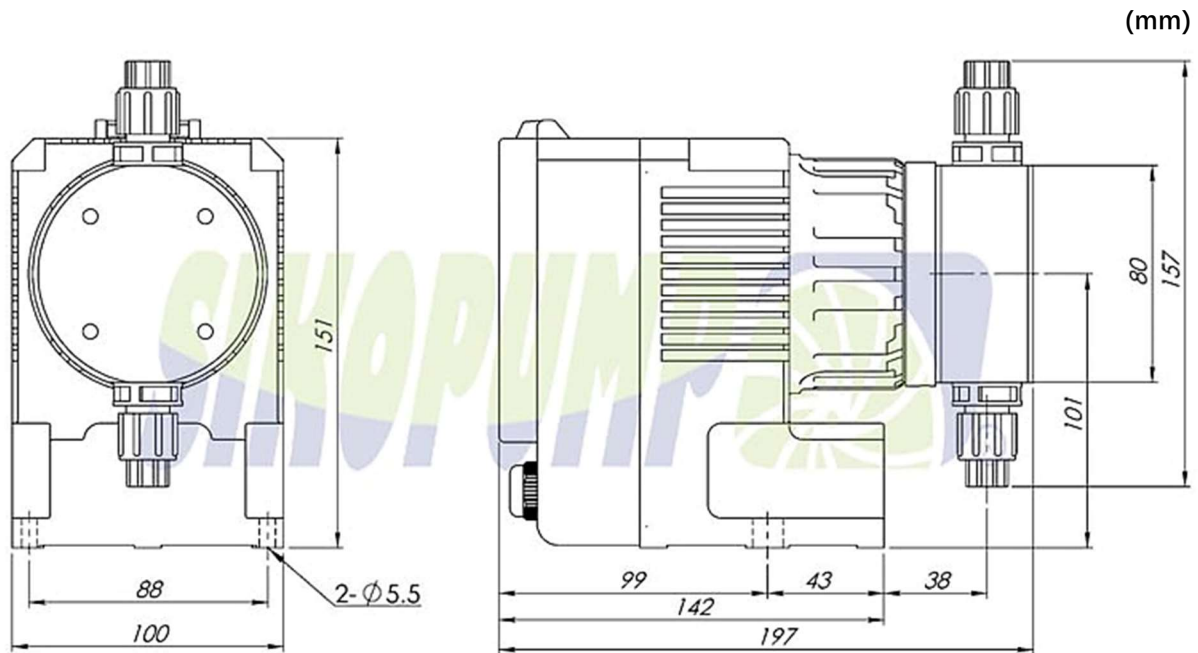


Size and Connection Drawing



For all models of EM solenoid metering pump: **Connection in ϕ 5*8mm PE hose.**

Standard Packing

Pump packed in separate carton, together with the pump accessories package.

Packing size: 310*280*170, mm; gross weight 6kg.

Two or four pumps will be put in a big carton.

Two pump packing, size: 330*300*380, mm; gross weight: 12kg

Four pump packing, size: 670*300*380, mm; gross weight: 25kg