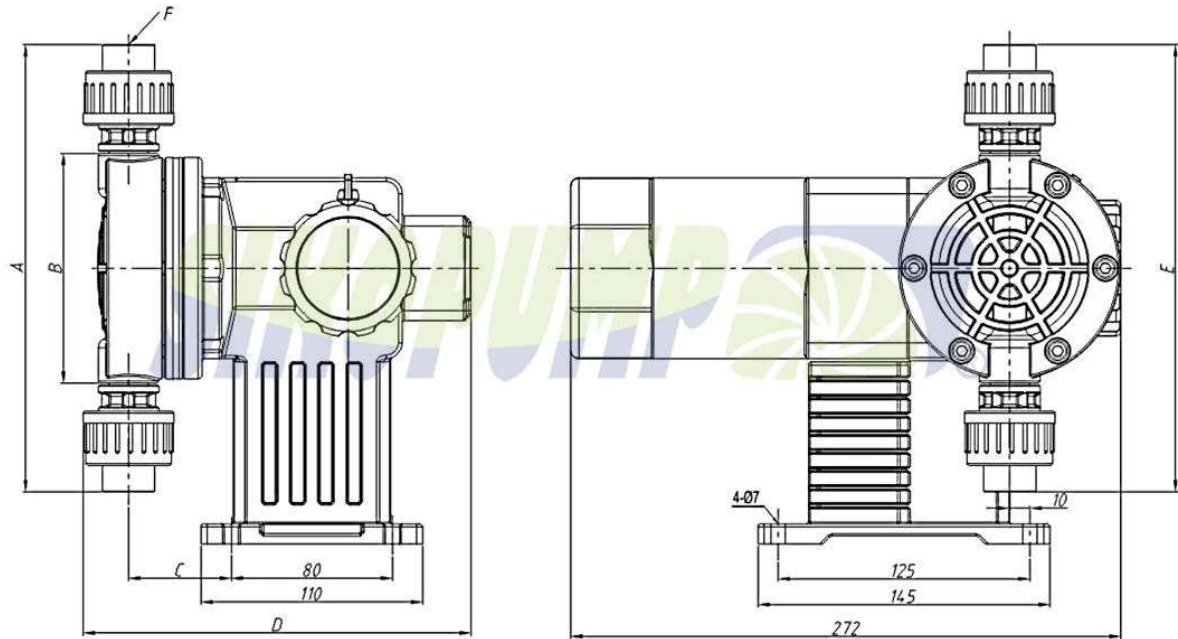


DJ Series
DIAPHRAGM METERING PUMP

DA DRAWING

Dimension & Connection



Standard Packing

Each pump has a separate carton.	
Packing Size	330*200*250, mm
Gross Weight	7.5kg

* Every 2 or 4 pumps will be put in a big external carton.

Model	A	B	C	D	E	Weight	Material		
							PVC	PVDF/PTFE	SS304/SS316
DJ15 to DJ40	174	94	Ø6mm hose	39	163	7kg	6*9mm hose	Rc 0.5 inch female thread	8*14mm welding union
DJ60 to DJ130	207	114	DN15	41	172	7kg	DN15 glue union	Rc 0.5 inch female thread	10*16mm welding union

* Flange type connection can be also provided as per request. Rc thread can be also provided for the stainless-steel pump.

* DJ60 to DJ130 in PVC material pump can be also provided for 10*14mm hose connection.