


SIKOPUMP  supply more than quality pump.....



DZ/DS/DZN

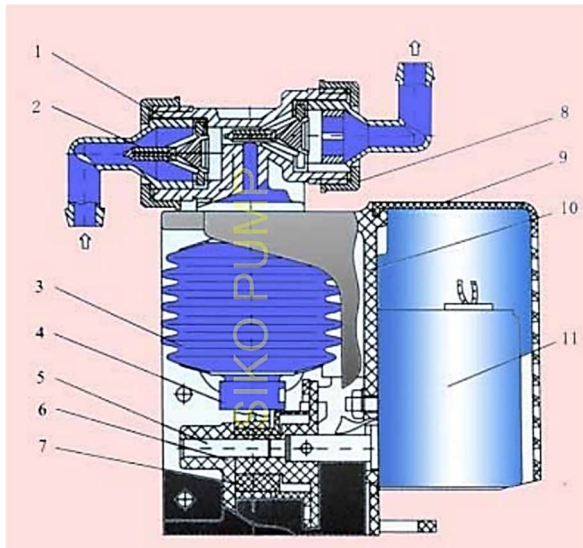
BELLOWS DOSING PUMP CATALOG

As we are constantly endeavoring to improve the performance of our equipment, The company reserves the right to make alteration from time to time and equipment will maybe differ from that detailed in this brochure.

FEATURE

- ◆ **No leakage:** For there is no mechanical sealing position no leakage exists;
- ◆ **Precision of outlet:** $\pm 1.5\%$ high precision can be achieved at the condition of clean water;
- ◆ **Self-suction:** suction range is about one meter for clean water
- ◆ **Allowed to dry rotation:** For working chamber bag consists of bellows dry rotation is allowed;
- ◆ **Long service life:** The chamber is made from polyacrylate that is anti-winding and special prescription it can withstand countless reciprocating motion;
- ◆ **Anti-corrosion:** Pump body is made from polyacrylate valve adopts special EPDM, FPM resisting various acid alkali and other corrosive liquids;
- ◆ **High Liquids temperature:** The maximum medicinal liquid temperature is 60.

CONSTRUCTION AND MATERIAL



	Part name	Qty	Part material
1	Body	2	PP
2	Poppet valve	2	EPDM
3	Bellows	1	PP
4	Connection rod	1	PP
5	Spindle	1	SS304
6	Crank(B)	1	SS304
7	Crank(A)	1	SS304
8	Nut	2	PP
9	End housing	1	ABS
10	Base	1	PP
11	Motor	1	/

APPLICATION

- 1) Automatic development of color film microfilm cinefilm and etc.;
- 2) It is used in beverage vending machine;
- 3) Sticking liquid and mediation;
- 4) Quantitative replenishment of food additive; the etching and cleaning of electronic basic plate printing Circuit;
- 5) The neutralization of acid and alkali for water treatment the utilization of condensations separation agent;
- 6) Quantitative supply of electroplate liquid;
- 7) Widely used in quantitative priming of additive bleaching liquid and medicaments.

SPECIFICATION

Model	Bellows Qty	Max flow(ml/min)		Speed		Pressure (bar)	Inlet (outlet)	Power (w)	Self-priming
		50Hz	60Hz	50Hz	60Hz				
DZ-1X	1	29	35	10	12	0.4	9mm	8w	50cm
DZ-2X	1	119	141	10	12	0.3	9mm	8w	50cm
DZ-2Y	1	175	210	15	18	0.2	9mm	8w	50cm
DZ-2Z	1	232	278	20	24	0.1	9mm	8w	50cm
2DZ-1X	2	29*2	35*2	10	12	0.3	9mm	8w	50cm
2DZ-2X	2	119*2	141*2	10	12	0.2	9mm	8w	50cm
2DZ-2Y	2	175*2	210*2	15	18	0.1	9mm	8w	50cm
2DZ-2Z	2	232*2	278*2	20	24	0.1	9mm	8w	50cm
DNZ-1X	1 to 4	29*n	35*n	10	12	0.4	9mm	8w	50cm
DZN-2X	1 to 4	119*n	141*n	10	12	0.3	9mm	8w	50cm
DZN-2Y	1 to 4	175*n	210*n	15	18	0.2	9mm	8w	50cm
DZN-2Z	1 to 4	232*n	278*n	20	24	0.2	9mm	8w	50cm
DS-1F	1	115	139	40	48	0.8	9mm	8w	100cm
DS-1P	1	200	243	70	84	0.8	9mm	30w	100cm
DS-1Q	1	260	310	90	108	0.8	9mm	30w	100cm
2DS-1F	2	115*2	139*2	40	48	0.8	9mm	8w	100cm
2DS-1P	2	200*2	243*2	70	84	0.8	9mm	30w	100cm
2DS-1Q	2	260*2	310*2	90	108	0.8	9mm	30w	100cm
DS-2E	1	357	428	30	36	0.8	9mm	8w	100cm
DS-2F	1	460	552	40	48	0.8	9mm	8w	100cm
DS-2G	1	570	685	50	60	0.8	9mm	8w	100cm
DS-2P	1	798	955	70	84	0.8	9mm	30w	100cm
DS-2O	1	990	1180	90	108	0.8	9mm	30w	100cm
2DS-2E	2	357*2	428*2	30	36	0.8	9mm	8w	100cm
2DS-2F	2	460*2	552*2	40	48	0.8	9mm	8w	100cm
2DS-2G	2	570*2	685*2	50	60	0.8	9mm	8w	100cm
2DS-2P	2	798*2	995*2	70	84	0.8	9mm	30w	100cm
2DS-2O	2	990*2	1180*2	90	108	0.8	9mm	30w	100cm

Contact  freely,

If you are interested in any model of the DZ/DS/DZN bellows pump.

Shanghai SIKOPUMP Industry Co., Ltd.

Add: No. 518 Jinyuan Road, Shanghai, China.

Tel: 0086-21-39109967, fax: 0086-21-39109968

Web: www.sikopump.com, Email: sales@sikopump.com