


SIKOPUMP  supply more than quality pump.....



DP

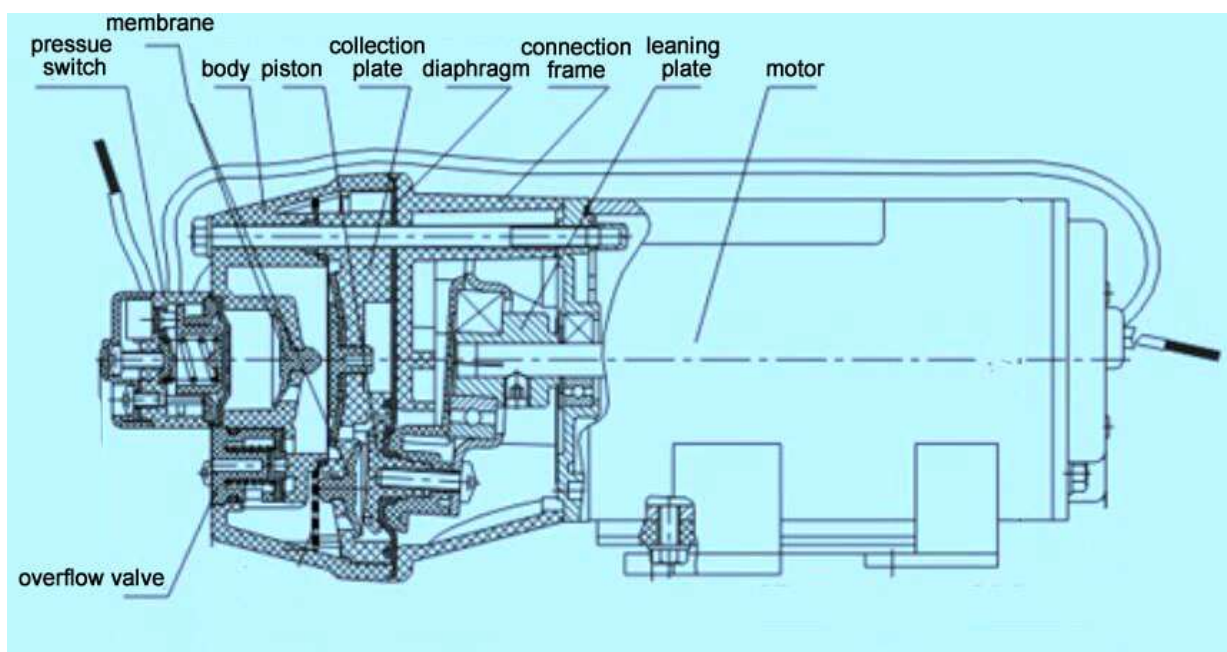
DC MOTOR DRIVEN DIAPHRAGM PUMP (DC 12V/24V)

As we are constantly endeavoring to improve the performance of our equipment, The company reserves the right to make alteration from time to time and equipment will maybe differ from that detailed in this brochure.

FEATURE

- Portable and simple installation
- Self-suction capability and dry running
- Built-in **pressure switch** and **over flow drain valve**
- Corrosive-resistant material
- Low noise, quiet and reliable DC power operation.
- **Brushless motor** voltage, DC12V or 24V
- High pressure, max to 130PSI
- Medium temperature up to 70C

CONSTRUCTION AND MATERIAL



	Part name	Part material
1	Pump body	Nylon66 (30% fiber glass reinforce)
2	Pump piston	Nylon66 (30% fiber glass reinforce)
3	Flow collection plate	Nylon66 (30% fiber glass reinforce)
4	Membrane	EPDM (Ethylene-Propylene-Diene Monomer)
5	Diaphragm	EPDM (Ethylene-Propylene-Diene Monomer)

SPECIFICATION

Model	Voltage (V)	Max current (A)	Max. Capacity (L/min)/(GPM)	Max. pressure (psi)/(Mpa)	Speed (rpm)	Suction (m)	Pressure switch (psi)/(Mpa)	Power (w)
DP-150	24V	4.0	5.3/1.4	150/1	1200	5	without	40
DP-130	24V	1.2	1.7/0.45	130/0.9	470	5	without	15
	12V	2.2	1.7/0.45	130/0.9	470	5	without	15
DP-130B	12V	2.2	1.7/0.45	130/0.9	470	5	125/0.86	15
DP-125	24V	1.0	1.0/0.26	125/0.86	375	5	125/0.86	10
DP-100	24V	1.1	1.2/0.32	100/0.68	357	5	100/0.68	10
DP-100A	24V	1.1	1.2/0.32	100/0.68	375	5	without	10
DP-60	24V	3.0	5.0/1.3	60/0.42	1200	5	60/0.42	40
	12V	6.0	5.0/1.3	60/0.42	1200	5	60/0.42	40
DP-60A	12V	3.5	3.0/0.8	60/0.42	375	5	without	20
DP-50	24V	6.0	13/4.2	50/0.35	1800	5	50/0.35	65
DP-35	24V	4.8	12/3.2	35/0.24	1300	5	35/0.24	40
	12V	7.0	9.5/2.5	35/0.24	1200	5	35/0.24	40

Standard motor in brushless type, and brush DC motor can be also provided.

Pump with pressure switch can automatically stop when it is in setting pressure.

Contact  freely,

If you are interested in any model of the DP diaphragm pump.

Shanghai SIKOPUMP Industry Co., Ltd.

Add: No. 518 Jinyuan Road, Shanghai, China.

Tel: 0086-21-39109967, fax: 0086-21-39109968

Web: www.sikopump.com, Email: sales@sikopump.com